



## True one-step to press

Completely processless  
Chemistry free

### For short-run, 2-up format printers

150 lpi screen ruling

Print run length; 20,000+



The Kimosetter 525 is another true one-step-to-press CTP from Kimoto with leading-edge UV inkjet imaging technology. It is the third generation in the Kimosetter series. With the first model, the Kimosetter 340 introduced in 2000, Kimoto brought an ecological and economical CTP into the small offset printers worldwide. Together with the Kimosetter 410 that followed and is still a current model, the two Kimosetter models have established a standard of Desktop CTP solution for graphic designers and press operators working for 2-up printers.

The new model, Kimosetter 525, maintains the same concept of earlier models while offering more advanced features; higher screen ruling of 150 lpi and much longer print run length of 20,000 impressions.

To achieve these target performances, Kimoto adopted UV imaging technology. The system is composed of new key elements -- the new UV ink, the new plate and the new RIP -- as well as the newly designed hardware.

#### Cationic UV ink

The UV curable ink is a key element of the Kimosetter 525. The droplets of ink emitted from the head nozzles are hardened immediately by the exposure of UV light after it reaches the plate. This ensures a consistent dot size to create quality halftone screens needed for offset printing plates. Unlike free radical UV inks which have a limitation of oxygen inhibition, the cationic UV ink of Kimosetter 525 shows superior stability in creating fine dots for precision images.

#### Small footprint

UV exposure units are traditionally large and difficult to accommodate in a small machine. The Kimosetter 525 was designed as a small, compact machine allowing users to operate the machine in a studio or office environment. The virtually odor-free feature of the cationic UV ink is essential for this operating environment as well as the safety measures to accommodate a compact UV exposure unit. As a true one-step-to-press CTP, the Kimosetter 525 doesn't require any developing units or post fusing devices. With its compact design, the UV inkjet CTP has a small footprint that fits to a studio environment.

#### 150 lpi halftone screen

The halftone capability of higher screen rulings than 100 lpi has been long requested by many users of the Kimosetter 340/410. Now the 150 lpi\* halftone capability of Kimosetter 525 fits the requirements of more and more short run jobs for 2-up presses including quality four color work.

\* The RIP of Kimosetter 525 provides actual screen rulings of 145 or 155 to choose for a nominal 150 lpi.

#### Tone curve management

The exclusive Kimosetter 525 RIP is capable of managing the tone curves of the image on the plate so that the print on the press will have the correct dot gain. The RIP is provided with a set of standard curves; the standard calibration curve for the Ze plate and the standard press curve. This set of calibration curve and press curve will generate a dot gain of the internationally recognized standards on the final press print.

If the supplied standard press curves do not provide a suitable result you expected or match a specific tone curve of a legacy system, the RIP provides simplified method of customizing the press curves using a densitometer.

#### Unattended Operation

The Kimosetter 525 does not require the services of a dedicated person to output plates. The designer can produce press-ready plates as easily as printing to an office printer. This allows the designer to concentrate on their jobs to increase efficiency.

### Kimoplate Ze™



Kimoplate Ze is a non-sensitized polyester plate newly developed to be imaged exclusively on the Kimosetter 525. The plate has excellent hydrophilic properties for the non-image area and the black UV ink image becomes ink receptive on the printing press. The film plate of 0.2mm (0.008") thickness gives both stability and flexibility which, with its paper white color, makes the media operator friendly too.

#### Chemical free

Kimoplate Ze is a processless plate. It requires neither special developing chemicals nor post washing or post fusing. The plate is ready straight from the Kimosetter 525. Kimoplate Ze is also compatible with most fountain solutions because of its super hydrophilic properties.

#### Printing inks

Small offset printers enjoy the usage of a wide variety of printing inks. Kimoplate Ze will run with most inks, including UV curable inks because of the excellent chemical resistance of Kimosetter 525 Ink on the plate.

#### Stability for longer run lengths

The UV ink image has an extremely strong adhesion to the plate and together with the base film thickness of 0.188mm the plate has excellent mechanical stability for print runs of more than 20,000 impressions. This ensures good registration for multi color or four color jobs as well.

#### Fast recovery

When restarting after a stop, which often occurs on small offset presses, just wipe the plate surface with clean water or fountain solution; Kimoplate Ze recovers very quickly.

#### Final check on the plates

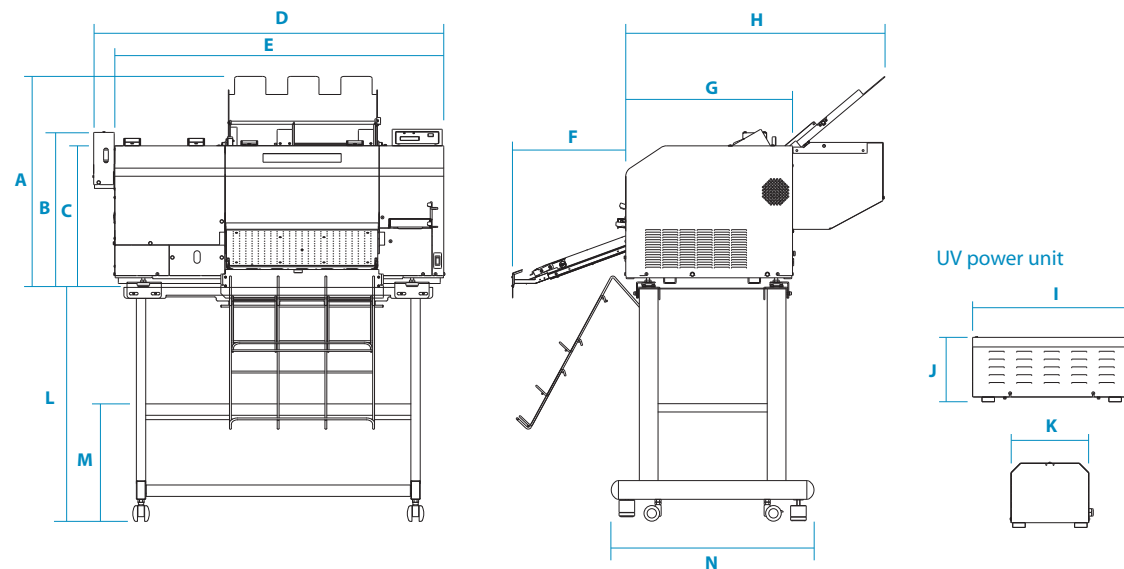
Kimoplate Ze has a black image on a white background. This good image visibility, together with the flexible film substrate, allows the designers to check the press-ready plates easily to make sure what they will finally get before sending to the press room.

## Space Requirements

### Dimensions

	mm	inch
<b>A</b>	672	26.5
<b>B</b>	493	19.5
<b>C</b>	450	17.8
<b>D</b>	1120	44.1
<b>E</b>	1052	41.5
<b>F</b>	363	14.3
<b>G</b>	534	21.1
<b>H</b>	830	32.7
<b>I</b>	506	20.0
<b>J</b>	206	8.2
<b>K</b>	250	9.9
<b>L</b>	750	29.6
<b>M</b>	377	14.9
<b>N</b>	650	25.6

\*The stand is optional.



## Kimosetter 525™ Specifications

<b>Print method</b>	Inkjet printhead carriage scan
<b>Resolution</b>	1080 dpi
<b>Inkjet printhead</b>	Piezo drop-on-demand
<b>Plate</b>	Kimoplate Ze
<b>Max print area</b>	414.6*494 mm / 16.32**19.45"
<b>Print speed</b>	10 plates/h(normal), 4 plates/h(fine) for max. size
<b>Ink</b>	UV curable ink (black), 220 ml/pack
<b>UV lamp type</b>	High-pressure mercury lamp
<b>Auto feed</b>	20 plates capacity
<b>Plate feed method</b>	Flatbed with vacuum
<b>Interface</b>	USB 2.0
<b>Power supply</b>	AC 100/120/220/240 V, 50/60 Hz
<b>Compliance mark</b>	UL, cUL, FCC, CE
<b>Power consumption</b>	Max. 1 kVA
<b>Noise</b>	Max. 65 dB
<b>Operating environment</b>	Temperature: 15 - 30 deg. C , 60 - 86 deg. F Humidity: 40 - 60 %RH (Non condensing)
<b>Weight</b>	155 kg (Main unit: 125 kg, UV Power unit: 30 kg, Stand: 37 kg)

## Kimoplate Ze™

<b>Plate size</b>	Max. 459*525 mm / 18.07**20.67"
<b>Plate thickness</b>	0.2 mm / 8 mil

## Kimosetter RIP™

<b>RIP</b>	Postscript3 compatible
<b>Screen rulings</b>	100, 120, 133, 145, 155 lpi, FM
<b>Supported formats</b>	Postscript3, PDF 1.7, TIFF, JPEG, EPS
<b>OS versions</b>	Windows XP, Vista, Server 2003 *
<b>Languages</b>	English, Japanese, German, Chinese

\*XP Pro.w/SP2, Vista Bus./Ult., Server 2003 Std./Ent., all 32 bit.

## Consumables and Options

Kimosetter 525 INK
Head cleaning liquid
Cleaning tape
Waste Ink Tank
Stand for Kimosetter 525

# KIMOTO

[www.mykimosetter.com](http://www.mykimosetter.com)

Please contact your authorized KIMOTO reseller:



**KIMOTO TECH, INC.** [www.kimototech.com](http://www.kimototech.com)



### Corporate Office

**Georgia:** 601 Canal Street  
Cedartown, GA 30125  
Phone: 770-748-2643 Fax: 770-748-7226



### Sales Office

**Illinois:** 1850 Howard Street, Suite G  
Elk Grove Village, IL 60007  
Phone: 847-640-8022 Fax: 847-640-7942

**California:** 1230 E. 223Rd. Street, Suite 220  
Carson, CA 90745  
Phone: 310-522-5911 Fax: 310-522-5922

CTP Solution

Kimosetter 525™ / Kimoplate Ze™

# KIMOTO

One Step to Press CTP Solution

# Kimosetter 525™

## Kimoplate Ze™

